

**GARMIN 296 MOUNT**  
**PANEL MOUNT FOR PITTS 12**  
**BISHOP AERO WORKS**

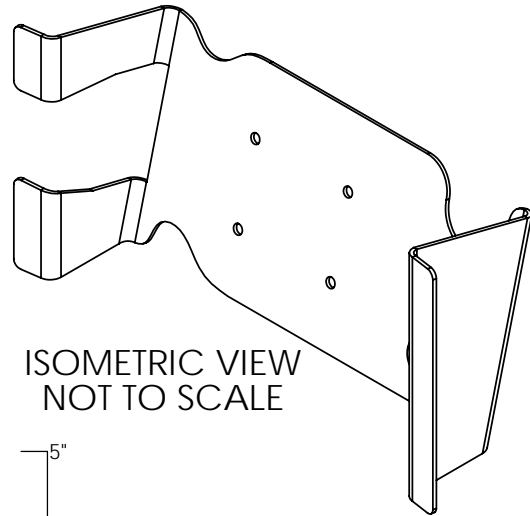
MATERIAL: .050" 6061-T6 Aluminum  
 FINISH: Painted to match panel

NOTES / ADDITIONAL INFORMATION:  
 Allows the Garmin 296 portable GPS unit to be panel mounted yet still removable for updates or use outside the airplane. Uses Garmin yoke mount sub-assembly.

FILENAME: G296TiltMount

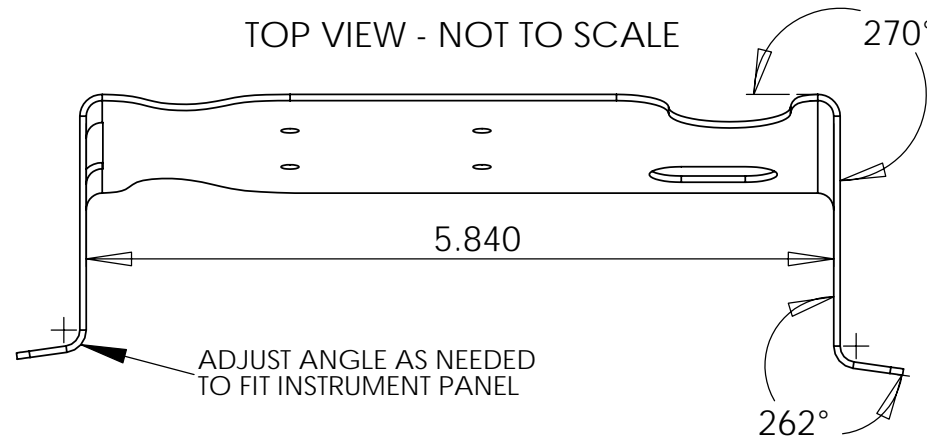
DRAWN: Darin B.  
 SAVED: Sunday, November 13, 2005 7:34:42 PM

THE INFORMATION CONTAINED IN THIS DRAWING IS THE SOLE PROPERTY OF BISHOP AERO WORKS. ANY REPRODUCTION IN PART OR AS A WHOLE WITHOUT WRITTEN PERMISSION IS STRICTLY PROHIBITED. COPYRIGHT (C) 2005



ISOMETRIC VIEW  
 NOT TO SCALE

TOP VIEW - NOT TO SCALE



USE 1/8" BEND RADIUS ALL BENDS

