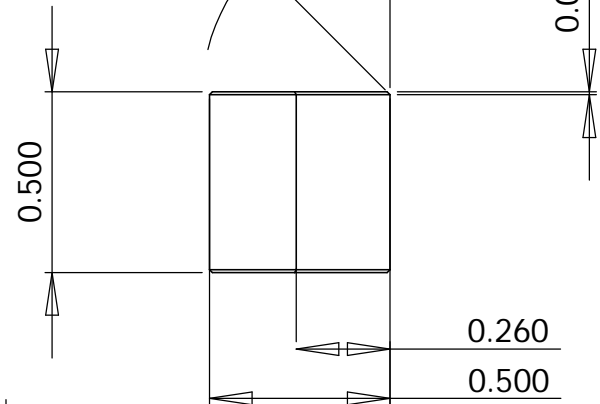
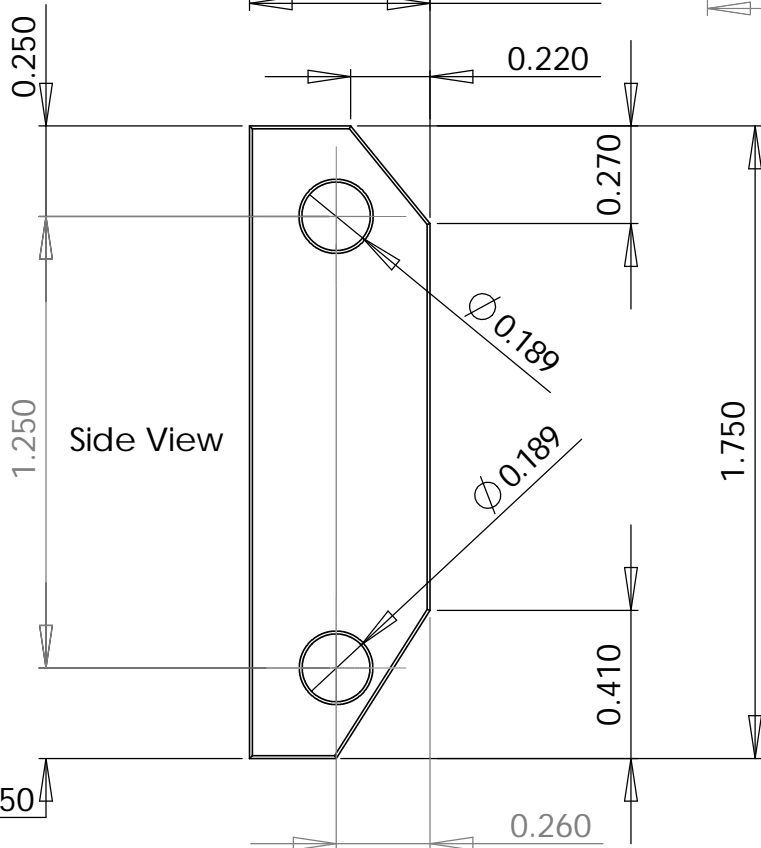
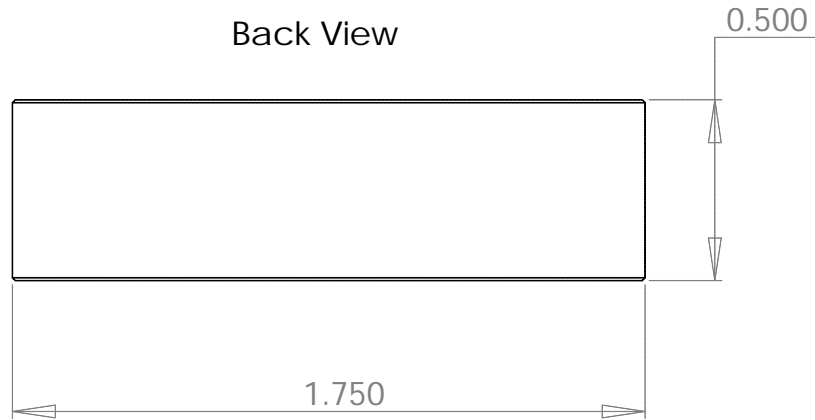


REVISIONS		DATE	APPROVED
ZONE	REV.	DESCRIPTION	

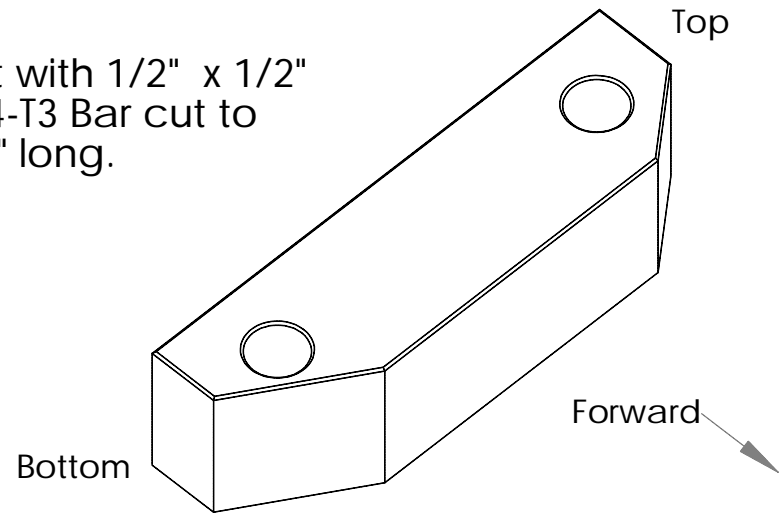
Bottom View Chamfer .008" x 45deg



Back View



Start with 1/2" x 1/2" 2024-T3 Bar cut to 1.75" long.



DIMENSIONS ARE IN INCHES TOLERANCES: FRACTIONAL ± ANGULAR: MACH ± BEND ± TWO PLACE DECIMAL ± THREE PLACE DECIMAL ±		DRAWN Darin	NAME Darin	DATE 09/11/03	www.2Wings.com
MATERIAL 2024-T3 1/2" x 1/2" Bar	CHECKED	ENG APPR.	MFG APPR.	Q.A.	
FINISH SMOOTH	AIRCRAFT: PITTS MODEL 12			SIZE A	DWG. NO. 320-22
NOT TO SCALE				SCALE: NTS	WEIGHT:
				SHEET 1 OF 1	

320-22
Elevator Spacer